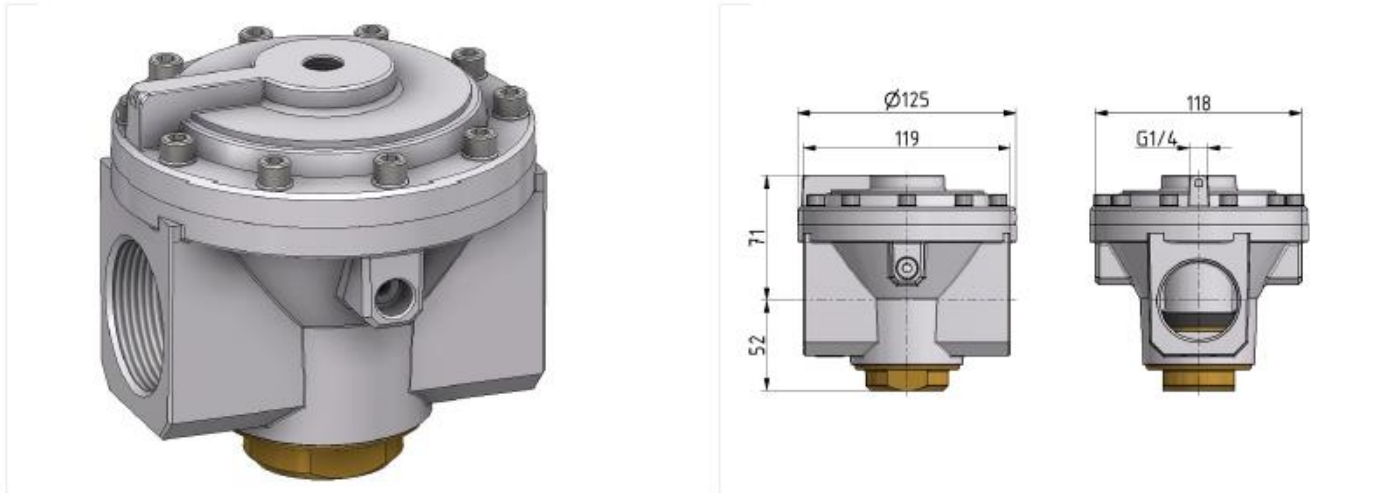


Pressure-regulator of the Standard series

Pressure regulator G1 1/4 pneumatic pilot operated (G1/4)

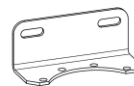


series	port size	flow rate	adjustment range P2 max.	weight
Standard	G 1 1/4	31500 l/min	20 bar	2.953 kg

technical data

- **description:** air line regulator with diaphragm and relieving feature, pneumatic pilot-operated (1:1)
- **medium:** compressed air, neutral gases
- **supply pressure P1 max.:** 40 bar
- **medium and ambient temperature:** -10 to 60 °C

accessories

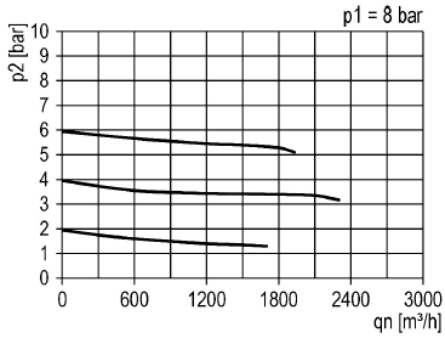


- mounting bracket:
Art. No. 100845 - Type No. H 86

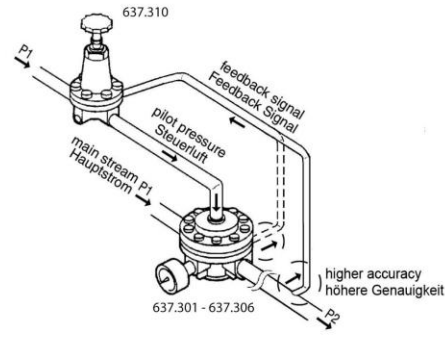
Pressure regulators with pneumatic remote control

Art. No. 101255 - Type No. 637.304

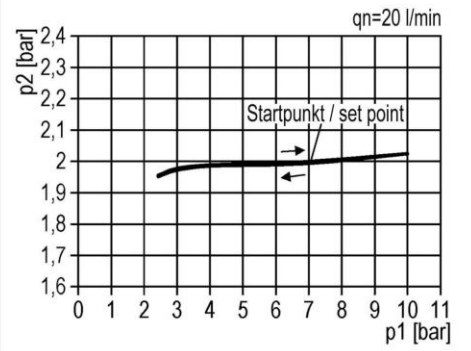
flow characteristic



operating conditions



pressure characteristic



symbol

